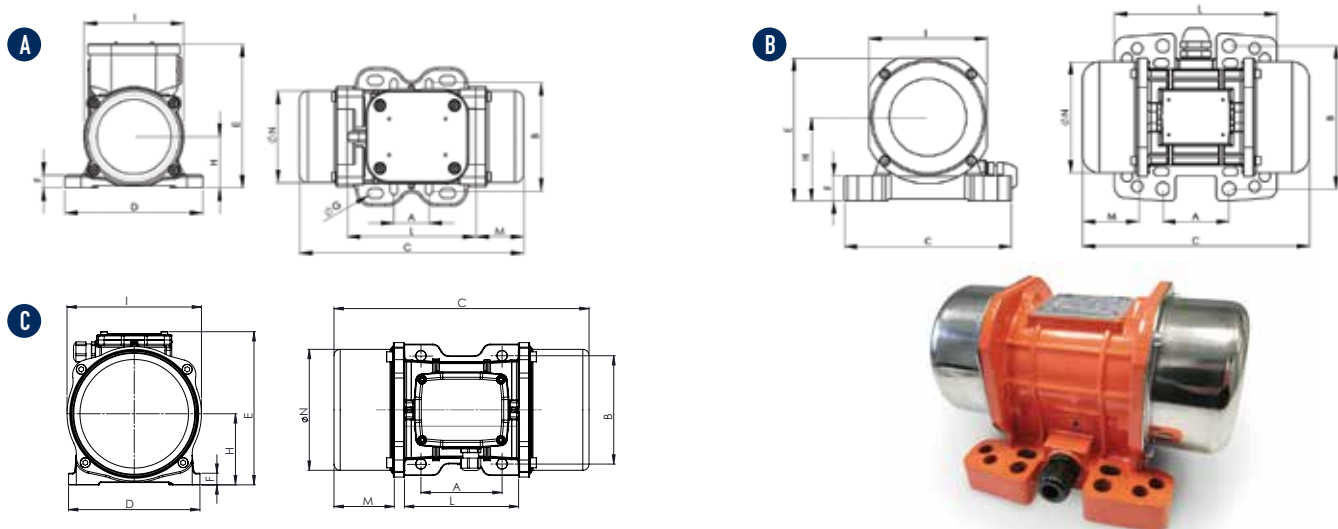




MVE-DC - Direct current electric vibrators



DIMENSIONAL SPECIFICATIONS

MODEL	DRAWING	SIZE	C		M		A		B		Ø G		HOLES n°	D		E		F		H		I		L		N	
			mm	in	mm	in	mm	in	mm	in	mm	in		mm	in	mm	in	mm	in	mm	in	mm	in	mm	in	mm	in
			50Hz	50Hz	50Hz	50Hz	mm	in	mm	in	mm	in		mm	in	mm	in	mm	in	mm	in	mm	in	mm	in	mm	in
MVE 50 DC 24	A	10	211	8.31	45	1.77	62-74	2.44-2.91	106	4.17	9	0.35	4	130	5.12	136	5.35	12	0.47	48	1.89	94	3.70	121	4.76	85	3.35
MVE 50 DC 12			33	1.30	83-102	3.27-4.02	7	0.28																			
MVE 120 DC 24	B	23	218	8.58	53	2.09	62-74	2.44-2.91	106	4.17	9	0.35	4	164	6.46	140	5.51	25	0.98	82	3.23	116	4.57	159	6.26	110	4.33
MVE 120 DC 12							65	2.56	140	5.51	13	0.51															
MVE 202 DC 24							115	4.53	135	5.31	11	0.43															
MVE 202 DC 12							135	5.31	115	4.53	11	0.43															
MVE 500 DC 24	C	40	330	12.99	78	3.07	105	4.13	140	5.51	13	0.51	4	170	6.69	195.5	7.70	15	0.59	92	3.62	174	6.85	174	6.85	160	6.30
MVE 1500 DC 24	C	50	324	12.76	63.5	2.50	120	4.72	170	6.69	18	0.71	4	208	8.19	209.5	8.25	18	0.71	96	3.78	184	7.24	198	7.80	169	6.65

ELECTRICAL SPECIFICATIONS

MODEL	RPM	WORKING MOMENT		CENTRIFUGAL FORCE		WEIGHT		POWER		MAX CURRENT	Ex II 3D	CABLE TYPE	CABLE GLAND
		kg*cm	in-lb	kg	lb	kg	lb	kW	Hp	A			
		Temp. Class [°C]		Class Temp	Class Temp								
MVE 50 DC 24	3000	1.02	0.89	50	110	4.4	9.7	0.08	0.11	3.3	100	2Gx1.5 90°C	M16 80°C
MVE 50 DC 12	3000	1.02	0.89	50	110	4.4	9.7	0.08	0.11	6.6			
MVE 120 DC 24	3000	2.14	1.86	117	258	7.2	15.9	0.11	0.15	4.8	100	2Gx1.5 90°C	M20 80°C
MVE 120 DC 12	3000	2.14	1.86	117	258			0.11	0.15	9.6			
MVE 202 DC 24	3000	4.17	3.62	200	441	0.16	0.21	6.7					
MVE 202 DC 12	3000	4.17	3.62	200	441	0.16	0.21	13.3					
MVE 500 DC 24	3000	10.40	9.03	530	1168.4	14.4	31.7	0.26	0.35	11.00	100	2Gx1.5 90°C	M20 80°C
MVE 1500 DC 24	3000	22.40	19.44	1616	3562.6	21.8	48.1	0.52	0.70	21.50	100	2Gx1.5 90°C	M20 80°C

MVE-DC - DIRECT CURRENT ELECTRIC VIBRATORS

APPLICATION Dump truck - Concrete pump - automotive hopper - salt spreader - dump trailer

POWDER Granular - Concrete

PROBLEM SOLVING Bridge and rat-holing

FEATURES

DUTY CYCLE Continuous - S1

ENVIRONMENT TEMPERATURE From -20°C to 40°C (from -4°F to 104°F)

MAX NOISE LEVEL 76 dB(a)

ATEX II 3 D EX TD A22 TX IP 66

MATERIAL Body aluminium - stainless steel /aluminium (powder painted) cover

OPTIONS

CUSTOMISED CABLE Available

This information is furnished without warranty, representation, inducement or license of any kind. It is accurate to the best OLI knowledge or is obtained from sources believed to be accurate. OLI therefore assumes no legal responsibility.

